



REQUEST FOR QUOTATION

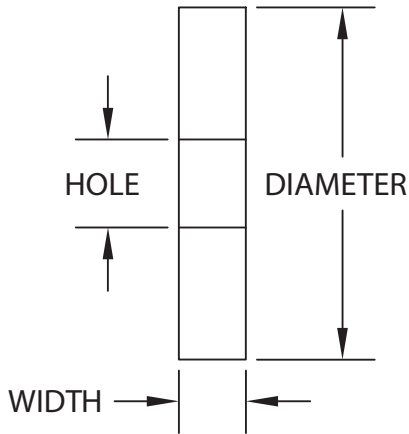
Company Name:

Phone:

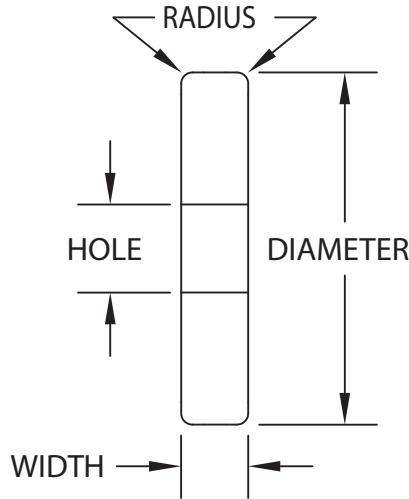
Contact:

Fax:

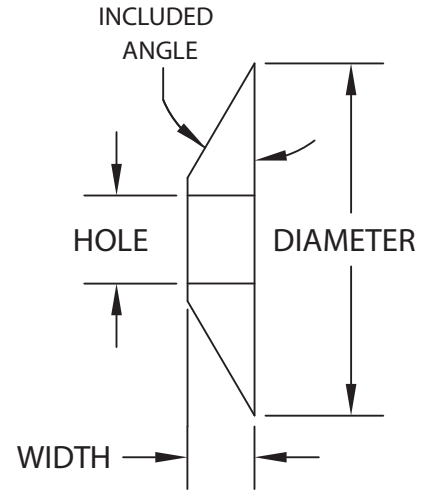
PART A



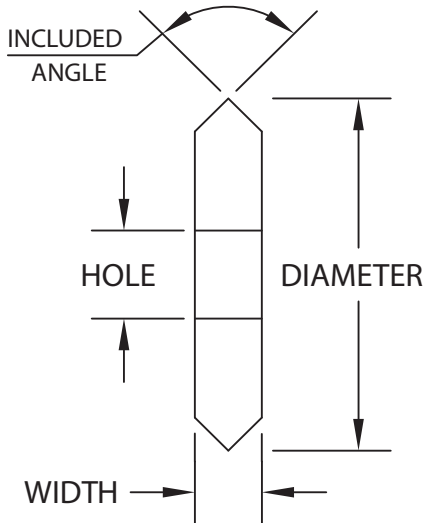
PART B



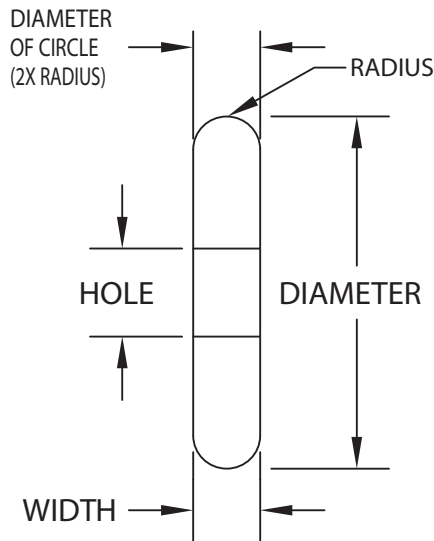
PART C



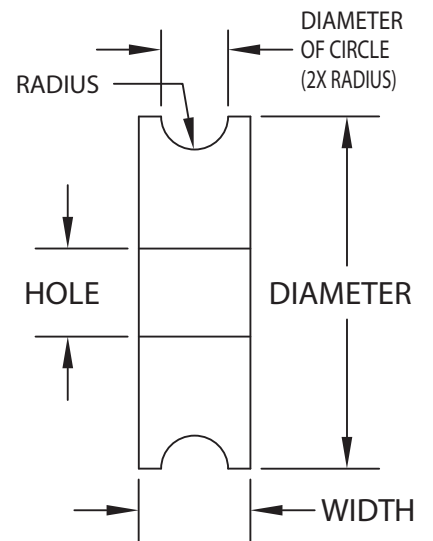
PART D



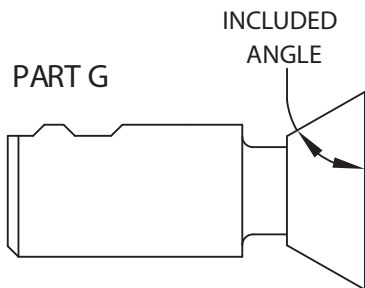
PART E



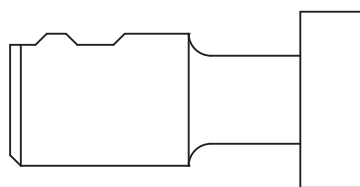
PART F



PART G



PART H



PART I

